

# MINI SWING PISTON COMPRESSORS AND VACUUM PUMPS FOR AIR

DATA SHEET E 303



NPK 04 ... DC



NPK 04 ... DCB

## Concept

The Swing Piston Pumps from KNF are based on a simple principal: As it rises and falls the piston tilts first to one side, then the other. The compression forces act along the axis of the connecting rod, so that there is no component of force acting against the cylinder wall to cause wear. Thanks to the sealing lip on the piston seal the swing piston pump runs dry, and 100% oil-free. They will evacuate, transfer and compress air without contamination.

For customers with unusual requirements the KNF Project Team produces specially tailored solutions. Use our experience to your advantage and talk to our applications engineers.

## Features

- Uncontaminated flow**  
No contamination of the air due to oil-free operation
- Maintenance-free**
- High level of flow-rate**
- Excellent price performance ratio**
- Very quiet and little vibration**
- Ready for installation**
- Can operate in any installed position**

## Areas of use

The Mini Swing Piston Pumps offer a high level of performance despite their small size, as well as an excellent price performance ratio. They are used especially in the fields of medicine, environmental and production technology. These pumps are used for transferring, compressing and evacuation air, taking samples, evacuating vessels and compressing air in process systems and vessels.

## PERFORMANCE DATA

Type	Delivery (l/min)	Vacuum (mbar absolute)	atm. Press.	Pressure (bar g)	Weight (g)
NPK 04 Vacuum DC	3.3	300			200
NPK 04 Pressure DC	3.3			1.0	200
NPK 04 Vacuum DCB	3.3	300			280
NPK 04 Pressure DCB	3.3			1.0	280

# NPK 04...DC

# NPK 04...DCB

## PERFORMANCE DATA

Type Order code <sup>2)</sup>	Delivery at atm. pressure (l/min) <sup>1)</sup>	Max. operating pressure (bar g)	Ultimate vacuum (mbar abs.)
<b>NPK 04 Vacuum DC</b>	3.3	-	300
<b>NPK 04 Pressure DC</b>	3.3	1.0	-

<sup>1)</sup> Litre at STP

<sup>2)</sup> See also „MODEL CODES FOR EASY ORDERING“

## PERFORMANCE DATA (Version with brushless dc motor)

Type Order code <sup>2)</sup>	Delivery at atm. pressure (l/min) <sup>1)</sup>	Max. operating pressure (bar)	Ultimate vacuum (mbar abs.)
<b>NPK 04 Vacuum DCB</b>	3.3	-	300
<b>NPK 04 Pressure DCB</b>	3.3	1.0	-

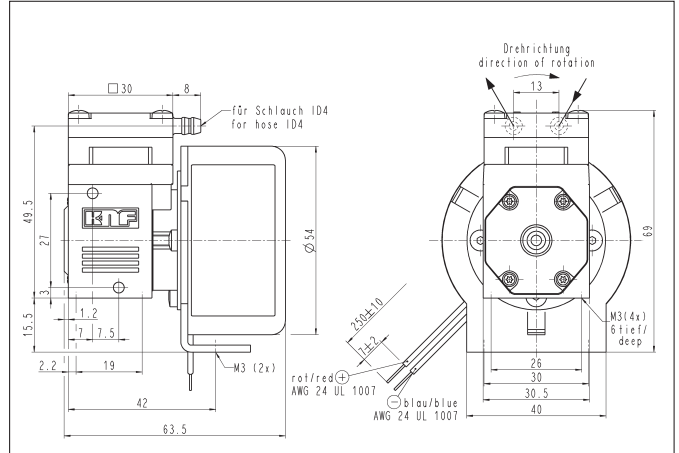
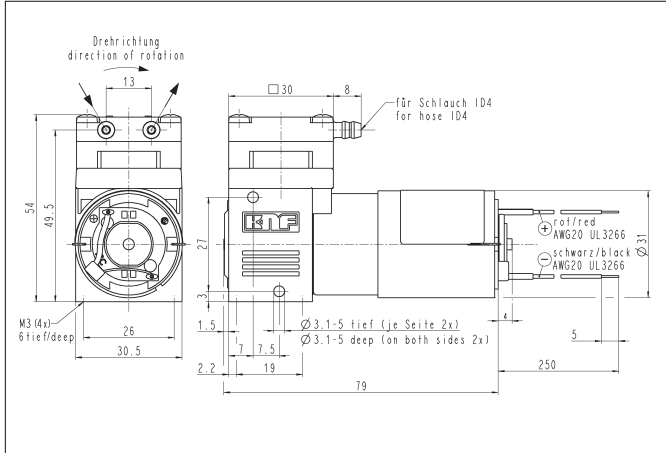
## MOTOR DATA

DC motor	12 V	24 V

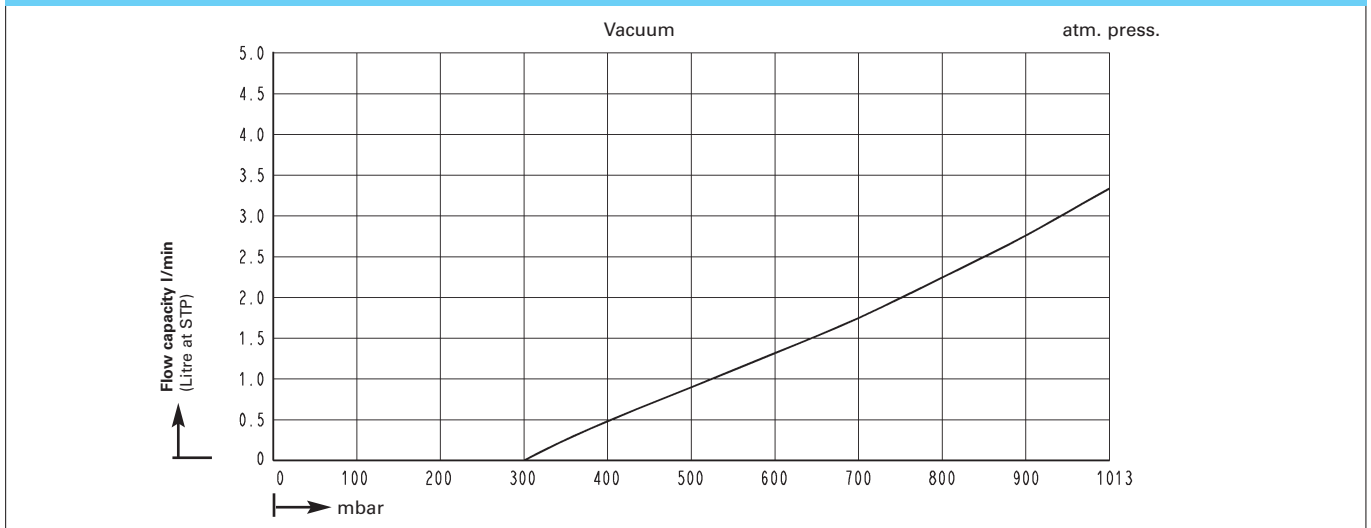
## MOTOR DATA (Version with brushless dc motor)

DC motor	12 V	24 V

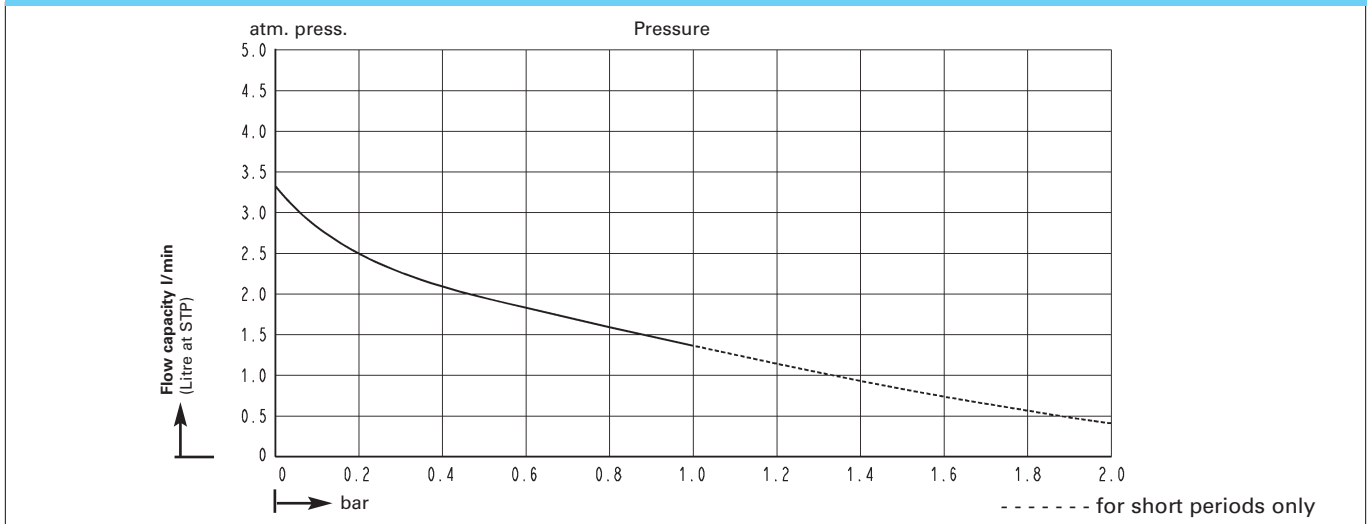
Dimensions mm (All dimensional tolerances conform to DIN ISO 2768-1, Tolerance Class V)



## NPK 04 Vacuum



## NPK 04 Pressure

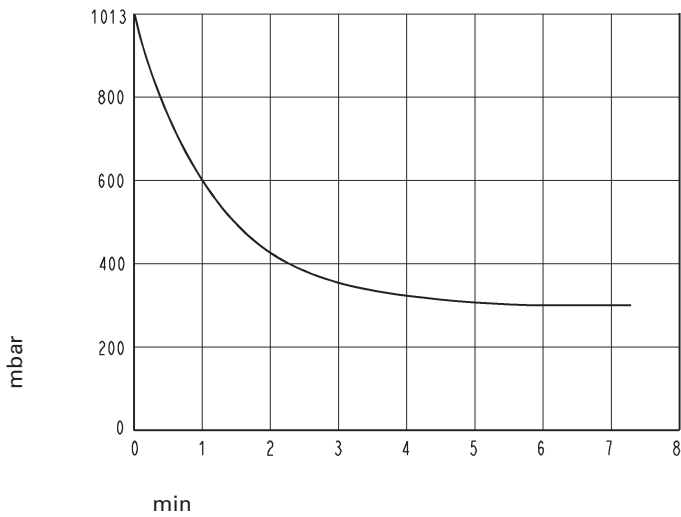


----- for short periods only

# TECHNICAL INFORMATIONS

## Pump down time for 5 l receiver

### NPK 04 Vacuum



## MODEL CODE FOR EASY ORDERING

The model code is identical to the order number. It is made up as follows:



- Base model
- Pump for vacuum or pressure
- DC motor or brushless DC motor
- Other motor data eg.: \_\_\_\_\_

In addition the motor data must be given in the purchase order. In our extensive program you are sure to find the pump you need for your particular application.

## Accessories

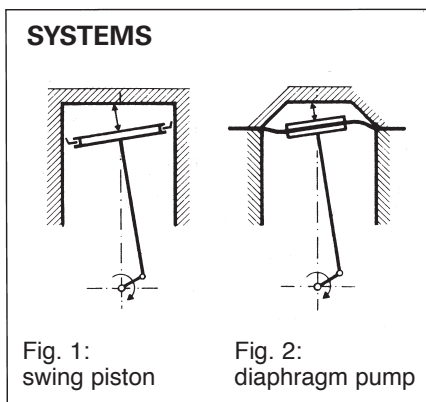
Description	Order No.	Details
Silencer/Filter	024805	

Hints on function and installation: see back side

## HINTS ON FUNCTION AND INSTALLATION

### FUNCTION OF KNF SWING PISTON VACUUM PUMPS AND COMPRESSORS

As it rises and falls the piston tilts first to one side, then the other (see figure 1). Just as with the diaphragm pump, the compression forces act along the axis of the connecting rod, so that there is no component of force acting against the cylinder wall to cause wear. In contrast to the diaphragm pump (see figure 2), the swing piston pump has a sealing lip. Thanks to the sealing lip on the piston seal the swing piston pump runs dry, and 100% oil-free.



### HINTS ON INSTALLATION AND OPERATION

- Range of use: Transferring air at temperatures between + 5 °C and + 40 °C
- Permissible ambient temperature: between + 5 °C and + 40 °C
- The standard pumps are not suitable for use in areas where there is a risk of explosion. In these cases there are other products in the KNF program - please ask us for details
- The pumps are not designed to start against pressure or vacuum; when a pump is switched on the pressure in the suction and pressure lines must be atmospheric. Pumps that start against pressure or vacuum are available on request
- To prevent the maximum operating pressure being exceeded, restriction or regulation of the air flow should only be carried out in the suction line

- Components connected to the pump must be designed to withstand the pneumatic performance of the pump
- Install the pump so that the fan can draw in sufficient cooling air
- Fit the pump at the highest point in the system, so that condensate cannot collect in the head of the pump - that prolongs working-life.

If you have any questions, please call our application engineers (see below for contact telephone number).

KNF - the competent partner for vacuum and compressor technology. Especially for unusual problems.

### KNF Neuberger GmbH Diaphragm Pumps + Systems

Alter Weg 3  
D-79112 Freiburg  
Tel. ++49 (0)7664/5909-0  
Fax ++49 (0)7664/5909-99  
E-mail: [info@knf.de](mailto:info@knf.de)  
[www.knf.de](http://www.knf.de)

## SALES CENTERS

### Germany

KNF Neuberger GmbH  
D-79112 Freiburg  
Tel. +49 7664 5909 0  
info@knf.de  
www.knf.de

### Benelux Netherlands

KNF Verder B.V.  
NL-3451 GG Vleuten  
Tel. +31 30 677 92 40  
info@knf-verder.nl  
www.knf-verder.nl

### Benelux Belgium and Luxemburg

KNF Verder N.V.  
B-2630 Aartselaar  
Tel. +32 3 871 96 24  
info@knf.be  
www.knf.be

### China

KNF Technology (Shanghai) Co., Ltd.  
Shanghai 201203  
Tel. +86 21 5109 9695  
info@knf.com.cn  
www.knf.com.cn

### France, Morocco, Tunisia, Algeria

KNF Neuberger SAS  
F-68128 Village-Neuf  
Tel. +33 389 70 35 00  
info@knf.fr  
www.knf.fr

### UK

KNF Neuberger U.K., Ltd.  
Witney, Oxfordshire OX28 4FA  
Tel. +44 1993 77 83 73  
info@knf.co.uk  
www.knf.co.uk

### India

KNF Pumps + Systems (India) Pvt. Ltd.  
Hinjewadi, Pune 411 057  
Tel. +91 20 640 13 923  
+91 20 640 08 923  
info@knfpumps.in  
www.knfpumps.in

### Italy

KNF ITALIA S.r.l.  
I-20063 Cernusco s. Naviglio MI  
Tel. +39 02 272 03 860  
info@knf.it  
www.knf.it

### Japan

KNF Japan Co.Ltd.  
Tokyo 104-0033  
Tel. +81 3 3551 7931  
info@knf.co.jp  
www.knf.co.jp

### Korea

KNF Neuberger Ltd.  
135-502, Seoul  
Tel. +82 2 959 0255  
knf@knfkorea.com  
www.knfkorea.com

### Sweden, Finland, Denmark, Norway

KNF Neuberger AB  
SE-11743 Stockholm  
Tel. +46 8 744 51 13  
info@knf.se  
www.knf.se

### Switzerland

KNF Neuberger AG  
CH-8362 Balterswil  
Tel. +41 71 973 99 30  
knf@knf.ch  
www.knf.ch

### Taiwan

KNF Neuberger Ltd.  
Taipei City, 11490  
Tel. +886 2 2794 1011  
knftwn@knftwn.com.tw  
www.knftwn.com.tw

### USA, Canada

KNF Neuberger, Inc.  
Trenton, New Jersey 08691-1810  
Tel. +1 609 890 8600  
knfusa@knf.com  
www.knfusa.com

### Latin America

Tel. +1 609 649 1010  
gb@knf.com  
www.knf.com/es